

## ACCESSORIES – CABINET DETAILS



## CABINETS

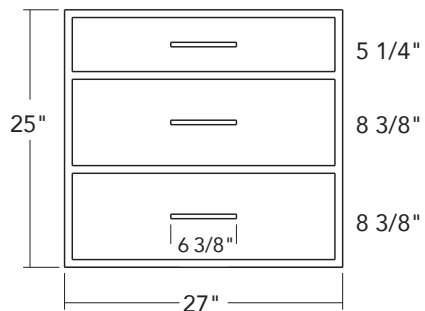
Solid hardwood cabinets add expandable, modular, storage to Kitchen Worktables. Standard cabinet configuration features three drawers on one face, and adjustable shelves opposite. Drawers feature solid wood construction, full extension glides and solid brass handles. Adjustable shelves and optional wine racks offer flexible, open storage. Cabinets are oil-finished, and available in four basic configurations and three wood species; Maple, Walnut and Oregon White Oak. Custom configurations and wood species available.

# ACCESSORIES – CABINET DETAILS

Solid hardwood cabinets add expandable, modular, storage and flexibility. Available in oil-finished Maple, Walnut and Oregon White Oak. Standard cabinets are configured with three drawers on one face, and adjustable shelves opposite. Cabinets are available in four basic configurations as detailed on the Cabinets Options page of the accessories PDF. See standard drawer / shelf hybrid below.

## CABINET DETAILS (STANDARD DRAWER/ SHELF HYBRID SHOWN)

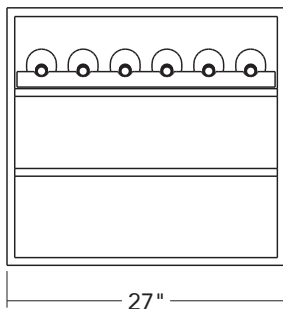
Drawer Side



Drawer Details:

- Solid wood construction
- Full extension soft-close glides
- Solid brass drawer pull in satin finish
- Interior drawer depth 15 1/4"
- Custom drawer dimensions available

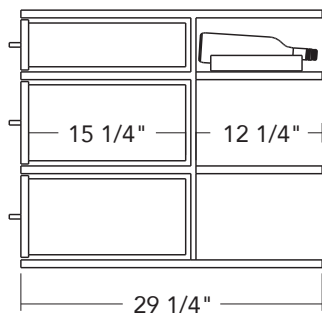
Shelf Side - Adjustable



Shelving details:

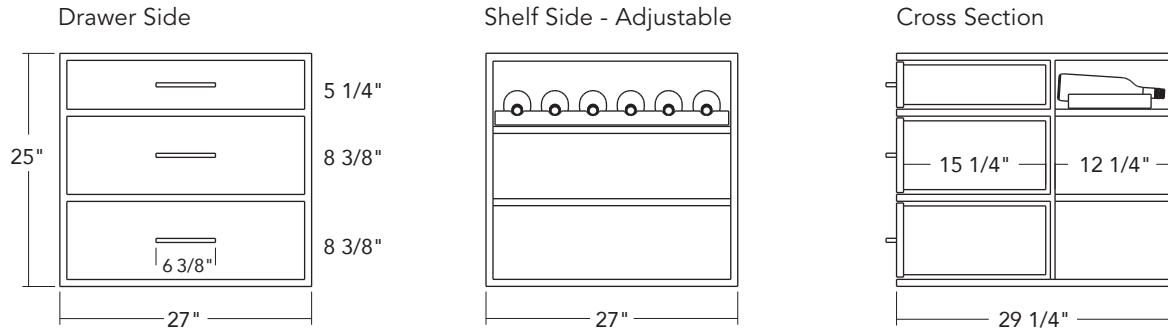
- Solid wood 3/4" thick shelves
- Shelves adjustable in 1.5" increments
- Shelf depth 12 1/4"
- Shown with optional 6 bottle wine rack

Cross Section

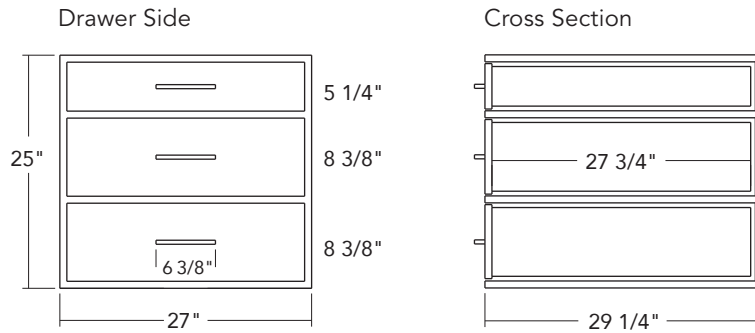


# CABINET OPTIONS FOR LARGE + MEDIUM WORKTABLES

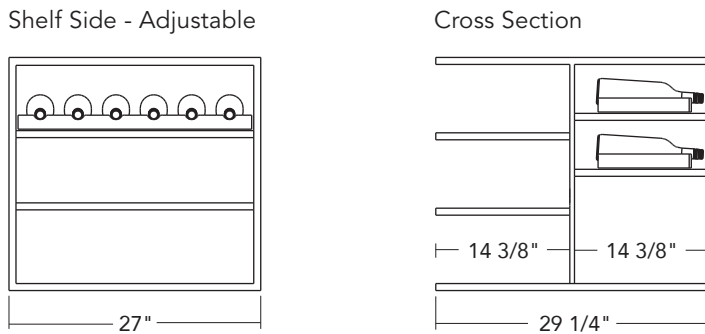
## LARGE / MEDIUM CABINET 1 – DRAWER / SHELF HYBRID *With optional wine rack*



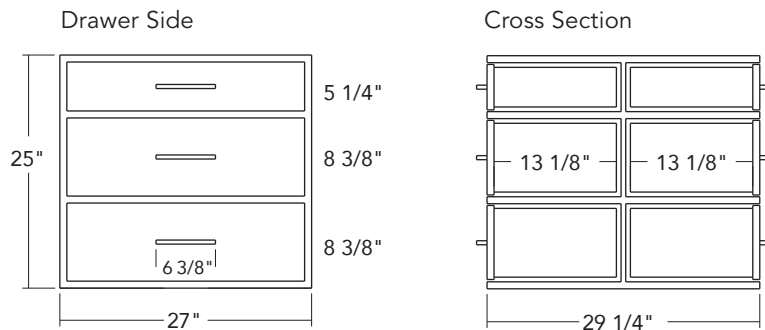
## LARGE / MEDIUM CABINET 2 – FULL-DEPTH DRAWERS



## LARGE / MEDIUM CABINET 3 – SHELF-ONLY *With optional wine rack*



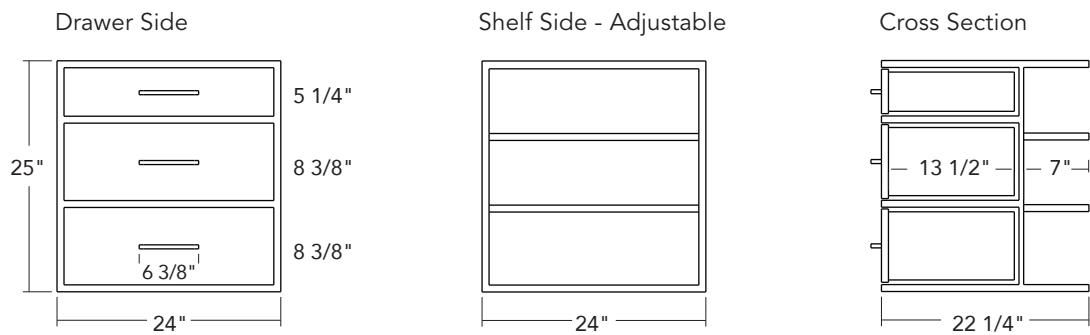
## LARGE / MEDIUM CABINET 4 – DRAWERS TWO SIDES



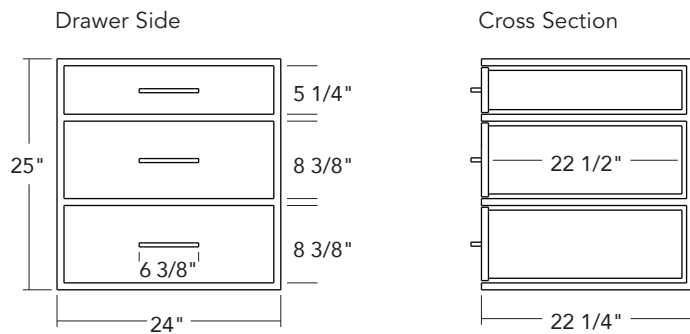
# CABINET OPTIONS FOR SMALL WORKTABLES

---

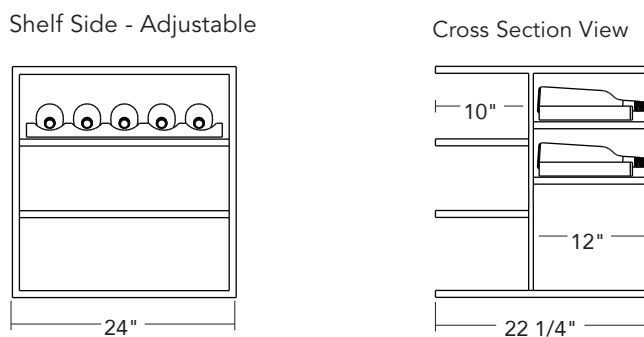
## SMALL CABINET 1 – DRAWER / SHELF HYBRID



## SMALL CABINET 2 – FULL-DEPTH DRAWERS



## SMALL CABINET 3 – SHELF-ONLY *With optional wine rack*



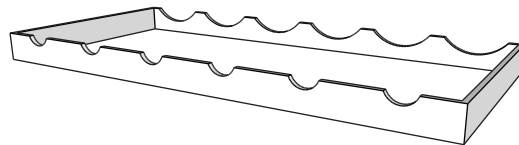
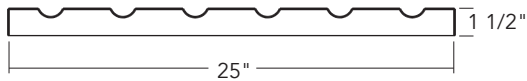
# ACCESSORIES WINE RACK



Wine Racks add convenient bottle storage to shelf-side of cabinets. Made from powdercoated steel, and available to fit both cabinet size ranges. Standard finish satin black. Custom color options available.

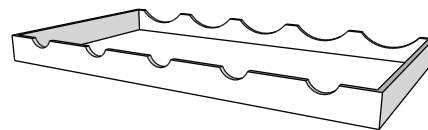
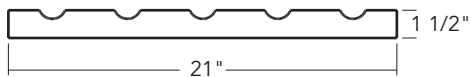
---

## 6 BOTTLE WINE RACK FOR LARGE + MEDIUM WORKTABLES



---

## 5 BOTTLE WINE RACK FOR SMALL WORKTABLE



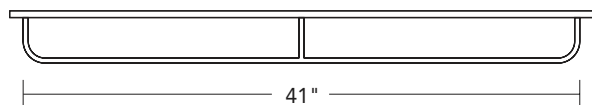
# ACCESSORIES POT RACKS + TOWEL BARS



Blackened stainless steel pot racks and towel bars add expandable storage and functionality. Available in a range of standard sizes. Please inquire for custom lengths and configurations. Solid brass S Hooks sold separately.

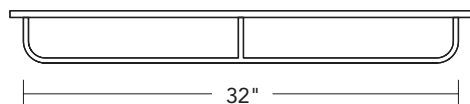
---

## POT RACK FOR LARGE + MEDIUM WORKTABLES



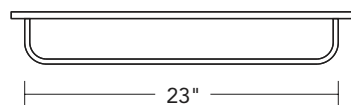
---

## POT RACK FOR SMALL WORKTABLE



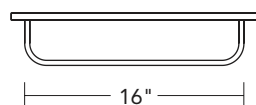
---

## TOWEL BAR FOR LARGE + MEDIUM WORKTABLES



---

## TOWEL BAR FOR SMALL WORKTABLE



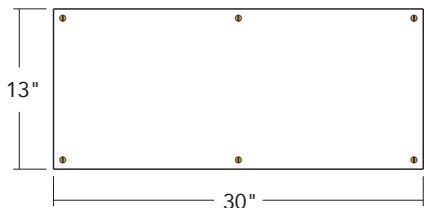
# ACCESSORIES COUNTERTOP TRIVETS



Countertop protective trivets provide moveable, heat-resistant, protective surfaces. Trivets are made from 3/16" thick blackened stainless steel with exposed brass details. Trivets have non-marring feet, and can be used on any counter surface.

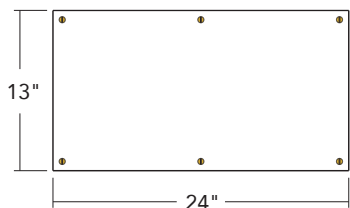
---

## COUNTER-DEPTH TRIVET FOR LARGE + MEDIUM WORKTABLES



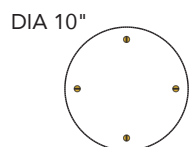
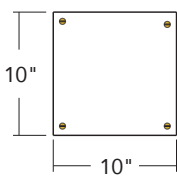
---

## COUNTER-DEPTH TRIVET FOR SMALL WORKTABLE



---

## PAN TRIVETS



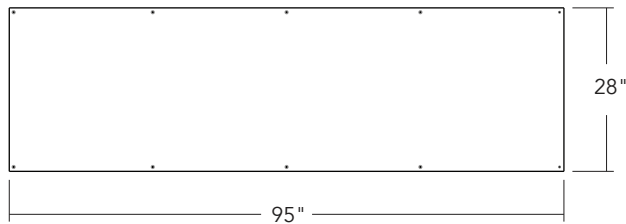
# ACCESSORIES STAINLESS SURFACE SHIELDS



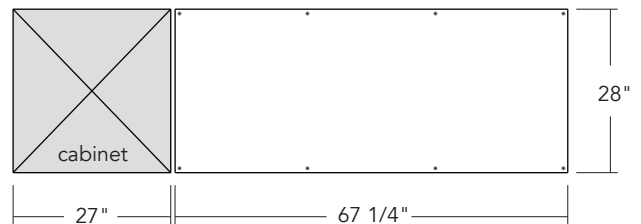
Blackened stainless surface shields provide durable surface protection for butcher block lower shelf surfaces. Surface shields are made from heavy 14ga stainless steel, mounted to butcher block surfaces with flush-to-surface brass screws. Surface shields are finished with a gunmetal patina and beeswax sealant. Available to fit all standard sizes and custom configurations.

---

## STAINLESS SURFACE SHIELDS FOR LARGE WORKTABLES



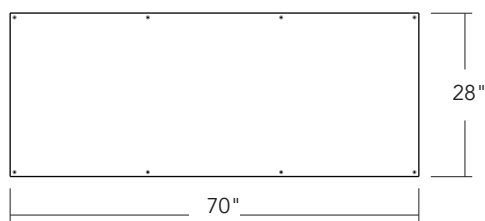
Full Lower Shelf



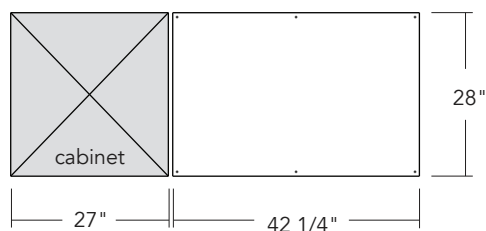
Partial Lower Shelf, shown with Cabinet

---

## STAINLESS SURFACE SHIELDS FOR MEDIUM WORKTABLES



Full Lower Shelf



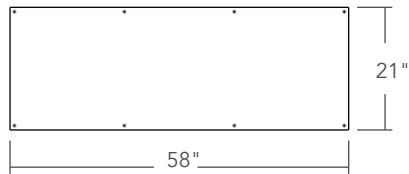
Partial Lower Shelf, shown with Cabinet



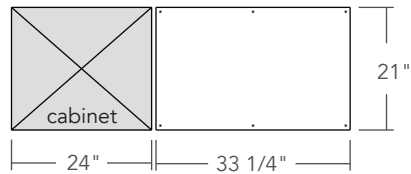
# ACCESSORIES STAINLESS SURFACE SHIELDS

---

## STAINLESS SURFACE SHIELDS FOR SMALL WORKTABLES



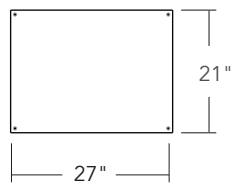
Full Lower Shelf



Partial Lower Shelf, shown with Cabinet

---

## STAINLESS SURFACE SHIELDS FOR MINI WORKTABLES



Full Lower Shelf

# ORDERING INFORMATION

---

All Ingot Worktables are handmade, customizable, and built to order. We welcome custom orders – including custom sizing, color and materials. Please call us at **503.351.5558** to explore the options. For current pricing, trade discounts, and detailed information regarding accessories and standard configurations, please see PDF pricelists and tear sheets available on our website – [ingotfurnishings.com](http://ingotfurnishings.com).

To place an order, please call **503.351.5558** or email [todd@ingotfurnishings.com](mailto:todd@ingotfurnishings.com)

Fabrication lead time is generally 10-12 weeks, plus shipping. Shipping rates are quoted and charged separately upon order. White glove delivery and assembly services available.

Color swatches and butcher block samples available by request.

Handmade in Portland, OR.

