

# ACCESSORIES – DETAILS



## INGOT WORKTABLES

Ingot Worktables – a flexible and expandable solution for kitchen work surfaces, standing or seated desks, bar-height seating, dining tables, and retail display. Kitchen Worktable models present a unique alternative to the permanent kitchen island, and are available with a range of add-on accessories – the perfect compliment to an open, modern kitchen.

## ACCESSORIES

Kitchen Island models are available as a basic table unit with add-on accessories, including solid wood cabinets with drawers and shelving, wine racks, towel bars, pot racks, blackened stainless trivets and blackend stainless surface shields.

## CUSTOM DIMENSIONS & SURFACES

Ingot Worktables are available in standard sizes + custom dimensions and surfaces.

Standard available table widths – 25" and 32".

Custom widths of 36" or 42" available. Custom widths also available by inch increment.

Standard available table lengths – 30", 48", 60", 72", 84", 97"

Custom lengths available by inch increment, from 25" – 120".

Basic table unit includes 1.5" thick hardwood butcher block top and lower shelf surfaces.

Standard hardwood work surfaces include oil-finished Maple, Walnut and Oregon White Oak.

Custom work surfaces include stainless steel, customer specified hardwoods and stone.

Butcher block wood samples available by request.

## COLOR

Available in 12 standard semi-gloss colors from the RAL European color standard system.

Custom colors available, or special order from among 205 Classic RAL colors in variable gloss levels

+ Gunmetal Grey and Bronze patination. Color samples available upon request.



# COLOR



Semi-gloss RAL colors shown, left to right:

- Signal White
- Agate Grey
- Green Grey
- Blue Grey
- Pastel Turquoise
- Reseda Green
- Chrome Green
- Graphite Black
- Broom Yellow
- Yellow Orange
- Brown Red
- Pastel Violet

Available in 12 standard semi-gloss colors from the RAL European color standard system. Custom colors available, or special order from among 205 Classic RAL colors in variable gloss levels + Gunmetal Grey and Bronze patination. Color samples available upon request.

## ACCESSORIES – CABINET DETAILS



## CABINETS

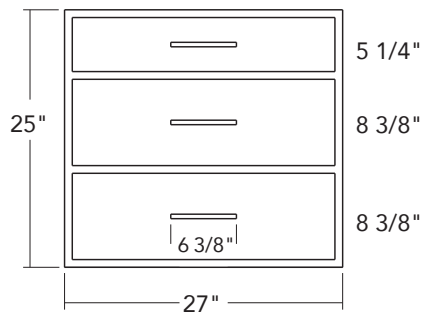
Solid hardwood cabinets add expandable, modular, storage to Kitchen Worktables. Standard cabinet configuration features three drawers on one face, and adjustable shelves opposite. Drawers feature solid wood construction, full extension glides and solid brass handles. Adjustable shelves and optional wine racks offer flexible, open storage. Cabinets are oil-finished, and available in four basic configurations and three wood species; Maple, Walnut and Oregon White Oak. Custom configurations and wood species available.

# ACCESSORIES – CABINET DETAILS

Solid hardwood cabinets add expandable, modular, storage and flexibility. Available in oil-finished Maple, Walnut and Oregon White Oak. Standard cabinets are configured with three drawers on one face, and adjustable shelves opposite. Cabinets are available in four basic configurations as detailed on the Cabinets Options page of the accessories PDF. See standard drawer / shelf hybrid below.

## CABINET DETAILS (STANDARD DRAWER/ SHELF HYBRID SHOWN)

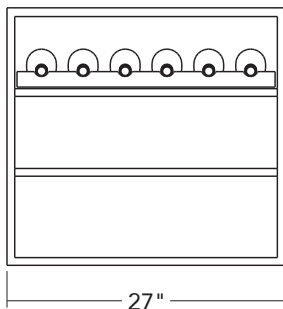
Drawer Side



Drawer Details:

- Solid wood construction
- Full extension soft-close glides
- Solid brass drawer pull in satin finish
- Interior drawer depth 15 1/4"
- Custom drawer dimensions available

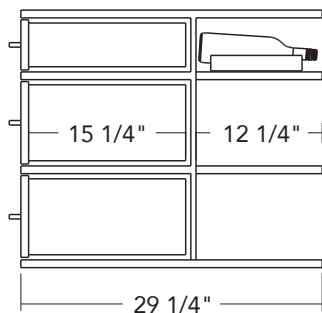
Shelf Side - Adjustable



Shelving details:

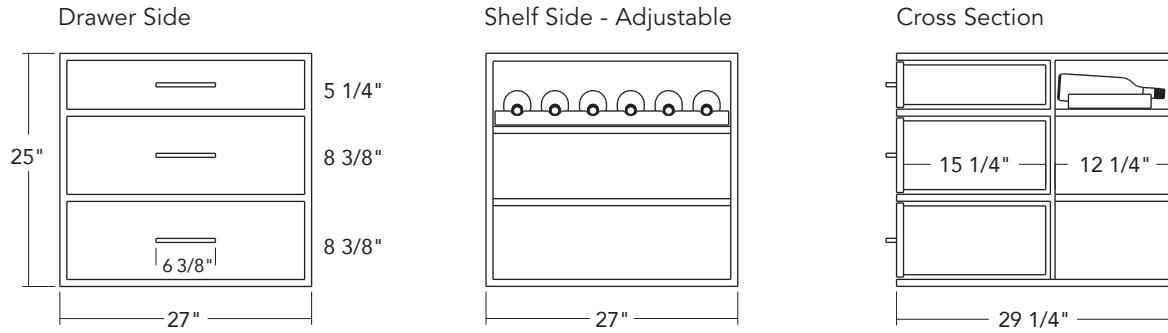
- Solid wood 3/4" thick shelves
- Shelves adjustable in 1.5" increments
- Shelf depth 12 1/4"
- Shown with optional 6 bottle wine rack

Cross Section

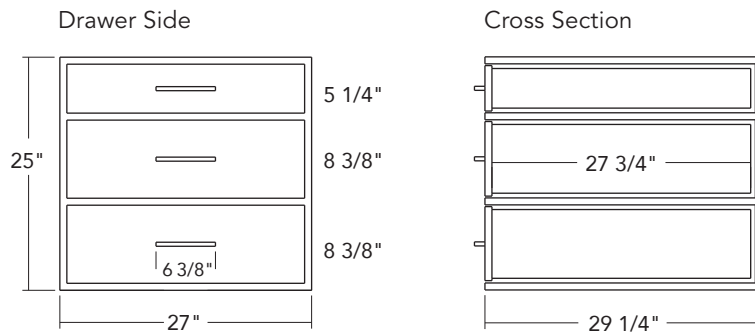


# CABINET OPTIONS FOR LARGE + MEDIUM WORKTABLES

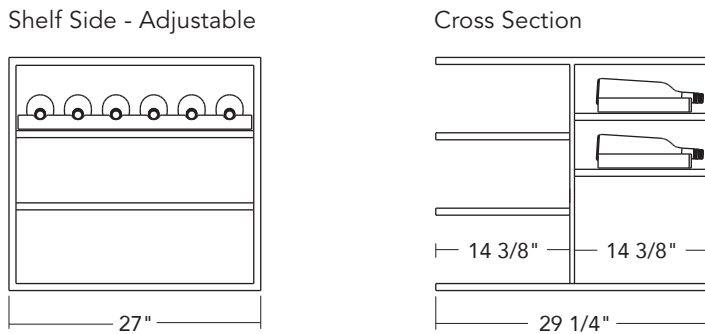
## LARGE / MEDIUM CABINET 1 – DRAWER / SHELF HYBRID *With optional wine rack*



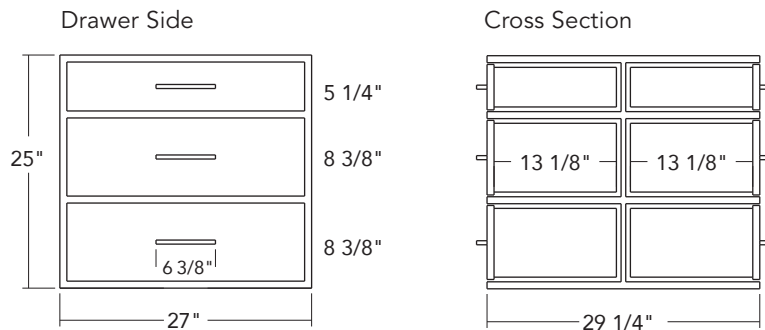
## LARGE / MEDIUM CABINET 2 – FULL-DEPTH DRAWERS



## LARGE / MEDIUM CABINET 3 – SHELF-ONLY *With optional wine rack*



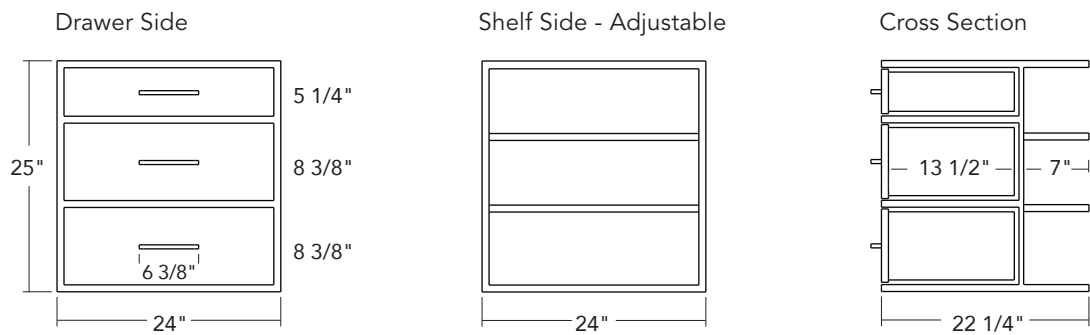
## LARGE / MEDIUM CABINET 4 – DRAWERS TWO SIDES



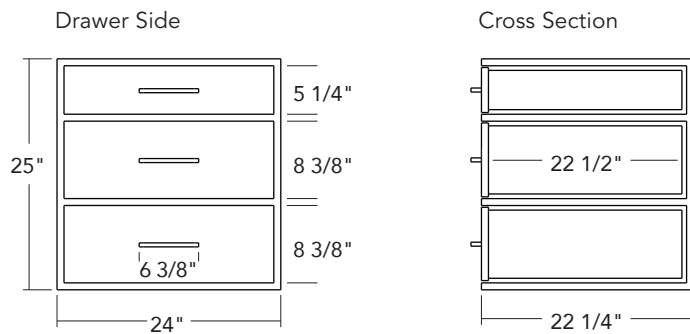
# CABINET OPTIONS FOR SMALL WORKTABLES

---

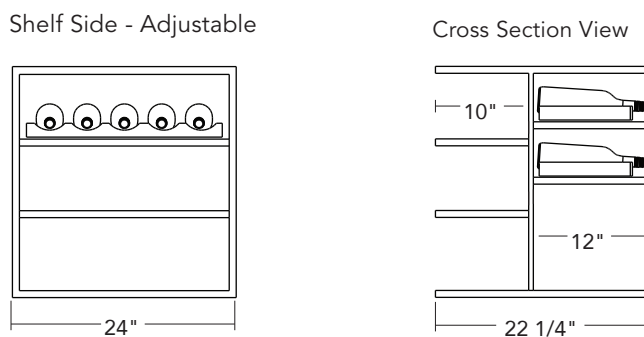
## SMALL CABINET 1 – DRAWER / SHELF HYBRID



## SMALL CABINET 2 – FULL-DEPTH DRAWERS



## SMALL CABINET 3 – SHELF-ONLY *With optional wine rack*



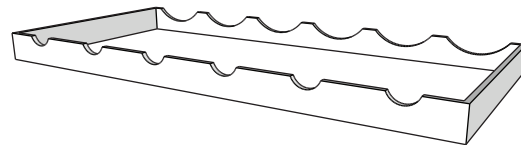
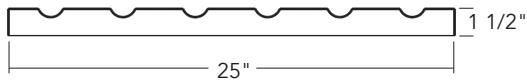
# ACCESSORIES WINE RACK



Wine Racks add convenient bottle storage to shelf-side of cabinets. Made from powdercoated steel, and available to fit both cabinet size ranges. Standard finish satin black. Custom color options available.

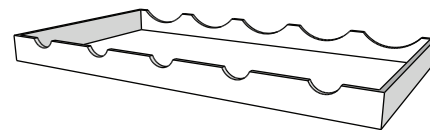
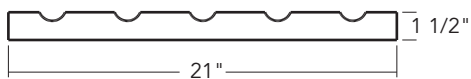
---

## 6 BOTTLE WINE RACK FOR LARGE + MEDIUM WORKTABLES



---

## 5 BOTTLE WINE RACK FOR SMALL WORKTABLE





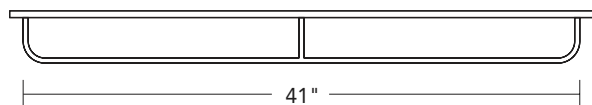
# ACCESSORIES POT RACKS + TOWEL BARS



Blackened stainless steel pot racks and towel bars add expandable storage and functionality. Available in a range of standard sizes. Please inquire for custom lengths and configurations. Solid brass S Hooks sold separately.

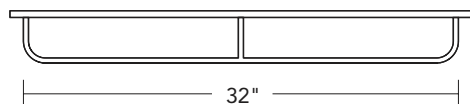
---

## POT RACK FOR LARGE + MEDIUM WORKTABLES



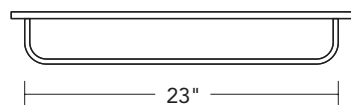
---

## POT RACK FOR SMALL WORKTABLE



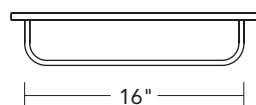
---

## TOWEL BAR FOR LARGE + MEDIUM WORKTABLES



---

## TOWEL BAR FOR SMALL WORKTABLE



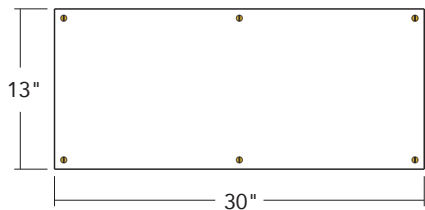
# ACCESSORIES COUNTERTOP TRIVETS



Countertop protective trivets provide moveable, heat-resistant, protective surfaces. Trivets are made from 3/16" thick blackened stainless steel with exposed brass details. Trivets have non-marring feet, and can be used on any counter surface.

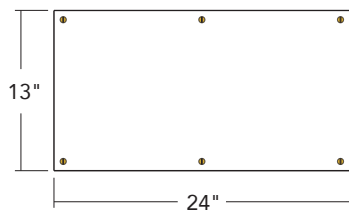
---

## COUNTER-DEPTH TRIVET FOR LARGE + MEDIUM WORKTABLES



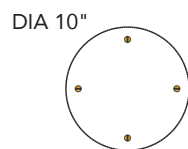
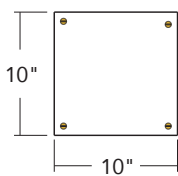
---

## COUNTER-DEPTH TRIVET FOR SMALL WORKTABLE



---

## PAN TRIVETS

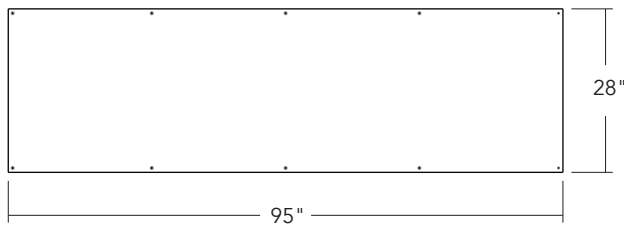


# ACCESSORIES STAINLESS SURFACE SHIELDS

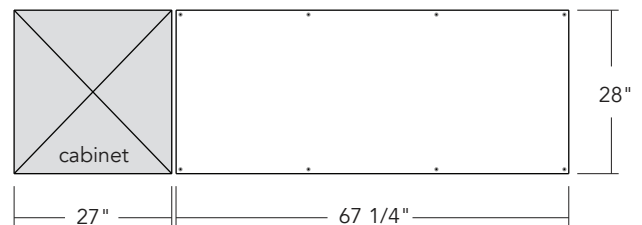


Blackened stainless surface shields provide durable surface protection for butcher block lower shelf surfaces. Surface shields are made from heavy 14ga stainless steel, mounted to butcher block surfaces with flush-to-surface brass screws. Surface shields are finished with a gunmetal patina and beeswax sealant. Available to fit all standard sizes and custom configurations.

## STAINLESS SURFACE SHIELDS FOR LARGE WORKTABLES

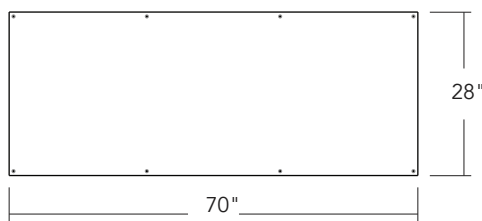


Full Lower Shelf

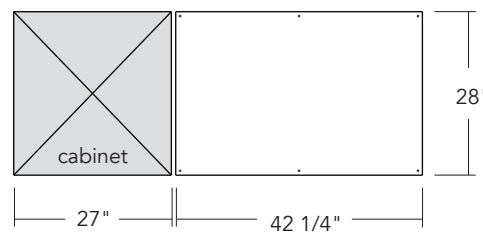


Partial Lower Shelf, shown with Cabinet

## STAINLESS SURFACE SHIELDS FOR MEDIUM WORKTABLES



Full Lower Shelf

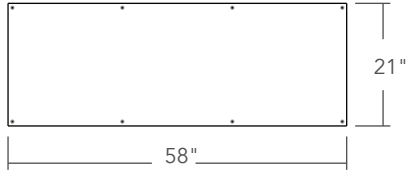


Partial Lower Shelf, shown with Cabinet

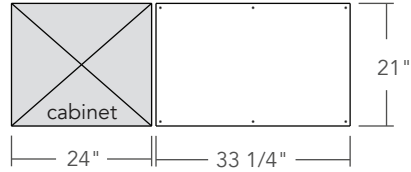
# ACCESSORIES STAINLESS SURFACE SHIELDS

---

## STAINLESS SURFACE SHIELDS FOR SMALL WORKTABLES



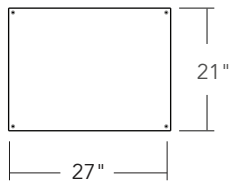
Full Lower Shelf



Partial Lower Shelf, shown with Cabinet

---

## STAINLESS SURFACE SHIELDS FOR MINI WORKTABLES



Full Lower Shelf

## TRADE PRICING – KITCHEN WORKTABLES + ACCESSORIES

KITCHEN WORKTABLES WITH CABINET 1 OPTION	Retail Price	15% Trade
<b>Small Worktable – 25 x 60 Maple</b>	\$3,600	\$3,060
+ Cabinet 1 Small Maple (drawer/ shelf hybrid) + \$2,500	\$6,100	\$5,185
<b>Small Worktable – 25 x 60 Walnut</b>	\$3,800	\$3,230
+ Cabinet 1 Small Walnut (drawer/ shelf hybrid) + \$2,700	\$6,500	\$5,525
<b>Small Worktable – 25 x 60 White Oak</b>	\$3,700	\$3,145
+ Cabinet 1 Small White Oak (drawer/ shelf hybrid) + \$2,600	\$6,300	\$5,355
<b>Medium Worktable – 32 x 72 Maple</b>	\$4,600	\$3,910
+ Cabinet 1 Large / Medium Maple (drawer/ shelf hybrid) + \$2,700	\$7,300	\$6,210
<b>Medium Worktable – 32 x 72 Walnut</b>	\$4,800	\$4,080
+ Cabinet 1 Large / Medium Walnut (drawer/ shelf hybrid) + \$2,900	\$7,700	\$6,545
<b>Medium Worktable – 32 x 72 White Oak</b>	\$4,700	\$3,995
+ Cabinet 1 Large / Medium White Oak (drawer/ shelf hybrid) + \$2,800	\$7,500	\$6,375
<b>Large Worktable – 32 x 97 Maple</b>	\$6,600	\$5,610
+ Cabinet 1 Large / Medium Maple (drawer/ shelf hybrid) + \$2,700	\$9,300	\$7,905
<b>Large Worktable – 32 x 97 Walnut</b>	\$6,800	\$5,780
+ Cabinet 1 Large / Medium Walnut (drawer/ shelf hybrid) + \$2,900	\$9,700	\$8,245
<b>Large Worktable – 32 x 97 White Oak</b>	\$6,700	\$5,695
+ Cabinet 1 Large / Medium White Oak (drawer/ shelf hybrid) + \$2,800	\$9,500	\$8,075

MINI KITCHEN WORKTABLES WITHOUT OPTIONAL CABINETS		
Mini Worktable – 25 x 30 Marble	\$3,750	\$3,188
Mini Worktable – 25 x 30 Maple	\$2,600	\$2,210
Mini Worktable – 25 x 30 Walnut	\$2,800	\$2,380
Mini Worktable – 25 x 30 White Oak	\$2,700	\$2,295

Pricing effective June 2020 – June 2021

## TRADE PRICING – KITCHEN WORKTABLES + ACCESSORIES

CABINET PRICING FOR LARGE + MEDIUM WORKTABLES	Ingot Retail	15% Trade
Cabinet 1 – Drawer / Shelf Hybrid – Maple	\$2,700	\$2,295
Cabinet 1 – Drawer / Shelf Hybrid – Walnut	\$2,900	\$2,465
Cabinet 1 – Drawer / Shelf Hybrid – White Oak	\$2,800	\$2,380
Cabinet 2 – Full-depth Drawers – Maple	\$2,700	\$2,295
Cabinet 2 – Full-depth Drawers – Walnut	\$2,900	\$2,465
Cabinet 2 – Full-depth Drawers – White Oak	\$2,800	\$2,380
Cabinet 3 – Shelf Only – Maple	\$2,500	\$2,125
Cabinet 3 – Shelf Only – Walnut	\$2,700	\$2,295
Cabinet 3 – Shelf Only – White Oak	\$2,600	\$2,210
Cabinet 4 – Drawers Two Sides – Maple	\$2,900	\$2,465
Cabinet 4 – Drawers Two Sides – Walnut	\$3,100	\$2,635
Cabinet 4 – Drawers Two Sides – White Oak	\$2,900	\$2,465

CABINET PRICING FOR SMALL WORKTABLE		
Cabinet 1 – Drawer / Shelf Hybrid – Maple	\$2,500	\$2,125
Cabinet 1 – Drawer / Shelf Hybrid – Walnut	\$2,700	\$2,295
Cabinet 1 – Drawer / Shelf Hybrid – White Oak	\$2,600	\$2,210
Cabinet 2 – Full-depth Drawers – Maple	\$2,500	\$2,125
Cabinet 2 – Full-depth Drawers – Walnut	\$2,700	\$2,295
Cabinet 2 – Full-depth Drawers – White Oak	\$2,600	\$2,210
Cabinet 3 – Shelf Only – Maple	\$2,200	\$1,870
Cabinet 3 – Shelf Only – Walnut	\$2,500	\$2,125
Cabinet 3 – Shelf Only – White Oak	\$2,200	\$1,870

Pricing effective June 2020 – June 2021

## TRADE PRICING – ACCESSORIES

TOWEL BARS	Ingot Retail	15% Trade
Small	\$185	\$157
Medium and Large	\$195	\$166

POT RACKS		
Small	\$200	\$170
Medium	\$240	\$204
Large	\$280	\$238

TRIVETS		
Small Pan Trivet – 10" Round	\$200	\$170
Small Pan Trivet – 10" Square	\$200	\$170
Small Worktable – Full width counter trivet	\$325	\$276
Large / Medium Worktable - Full width counter trivet	\$375	\$319

BLACKENED STAINLESS SURFACE SHIELDS – LOWER SHELF		
Mini	\$425	\$361
Small Worktable – Partial / with cabinet	\$450	\$383
Small Worktable – Full lower shelf	\$525	\$446
Medium Worktable – Partial / with cabinet	\$560	\$476
Medium Worktable – Full lower shelf	\$670	\$570
Large Worktable – Partial / with cabinet	\$700	\$595
Large Worktable – Full lower shelf	\$875	\$744

WINE RACK		
5 bottle unit	\$300	\$255
6 bottle unit	\$350	\$298

Pricing effective June 2020 – June 2021

## TRADE PRICING – DESK / COUNTER + BAR HEIGHT

COUNTER HEIGHT / KITCHEN 36" – NO LOWER SHELF	Ingot Retail	15% Trade
Small Counter Height – 25" x 60" Walnut	\$3,200	\$2,720
Small Counter Height – 25" x 60" White Oak	\$3,100	\$2,635
Small Counter Height – 25" x 60" Maple	\$3,000	\$2,550
Medium Counter Height – 32" x 72 Walnut	\$4,200	\$3,570
Medium Counter Height – 32 x 72 White Oak	\$4,100	\$3,485
Medium Counter Height – 32 x 72 Maple	\$4,000	\$3,400
Large Counter Height – 32 x 97 Walnut	\$5,500	\$4,675
Large Counter Height – 32 x 97 White Oak	\$5,400	\$4,590
Large Counter Height – 32 x 97 Maple	\$5,300	\$4,505

BAR HEIGHT 42" – NO LOWER SHELF		
Small Bar Height – 25" x 60" Walnut	\$3,400	\$2,890
Small Bar Height – 25" x 60" White Oak	\$3,300	\$2,805
Small Bar Height – 25" x 60" Maple	\$3,200	\$2,720
Medium Bar Height – 32 x 72 Walnut	\$4,400	\$3,740
Medium Bar Height – 32 x 72 White Oak	\$4,300	\$3,655
Medium Bar Height – 32 x 72 Maple	\$4,200	\$3,570
Large Counter Height – 32 x 97 Walnut	\$5,700	\$4,845
Large Counter Height – 32 x 97 White Oak	\$5,600	\$4,760
Large Counter Height – 32 x 97 Maple	\$5,500	\$4,675

DESK HEIGHT 30" – NO LOWER SHELF		
Small Desk Height – 25" x 60" Walnut	\$3,000	\$2,550
Small Desk Height – 25" x 60" White Oak	\$2,900	\$2,465
Small Desk Height – 25" x 60" Maple	\$2,800	\$2,380
Medium Desk – Height – 32 x 72 Walnut	\$4,000	\$3,400
Medium Desk – Height – 32 x 72 White Oak	\$3,900	\$3,315
Medium Desk – Height – 32 x 72 Maple	\$3,800	\$3,230
Large Desk Height – 32 x 97 Walnut	\$5,300	\$4,505
Large Desk Height – 32 x 97 White Oak	\$5,200	\$4,420

Pricing effective June 2020 – June 2021



# ORDERING INFORMATION

---

Ingot Worktables are built to order and available in four standard Kitchen Worktable sizes.

Also available in 42" Bar Height, 30" Dining Height, and 30" Desk Height. For detailed product information and dimensions, please see [ingotfurnishings.com](http://ingotfurnishings.com) for individual tear sheets.

For ordering inquiries, pricing, and custom configurations, please email [info@ingotfurnishings.com](mailto:info@ingotfurnishings.com) or phone 503.351.5558.

Fabrication lead time is generally 10 – 12 weeks, plus shipping. Expedited fabrication and shipping times available by special request.

Color swatches and butcher block material samples available by request.

Handmade in Portland, OR.

